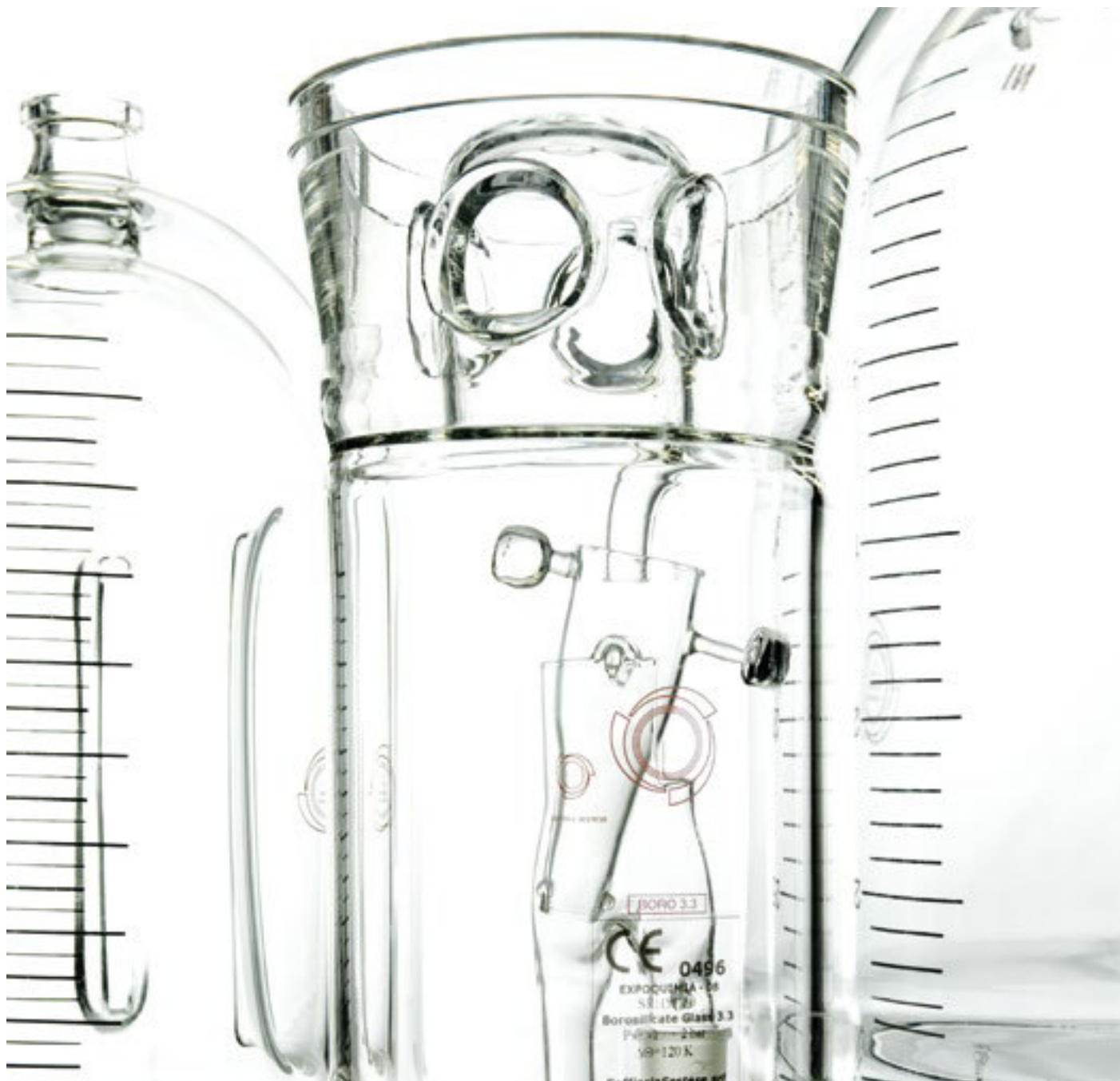


COLUMN PARTS



Column Parts

The column components range contains all the necessary components in nominal bore from 80 to 600 mm. This allows complete and operationally safe solution of problems both in the pilot plant and on production scale.

The main advantages for users in the chemical and pharmaceutical industries are:

- the outstanding corrosion resistance of borosilicate glass 3.3 and composite material used;
- the permanent fluid-tightness of the connecting flange system, which is adapted to the material;
- the consistent use of a modular construction system in a metric grid.

The permissible temperatures and pressures of borosilicate glass 3.3 components are described in detail in chapter 1 (Technical Information).

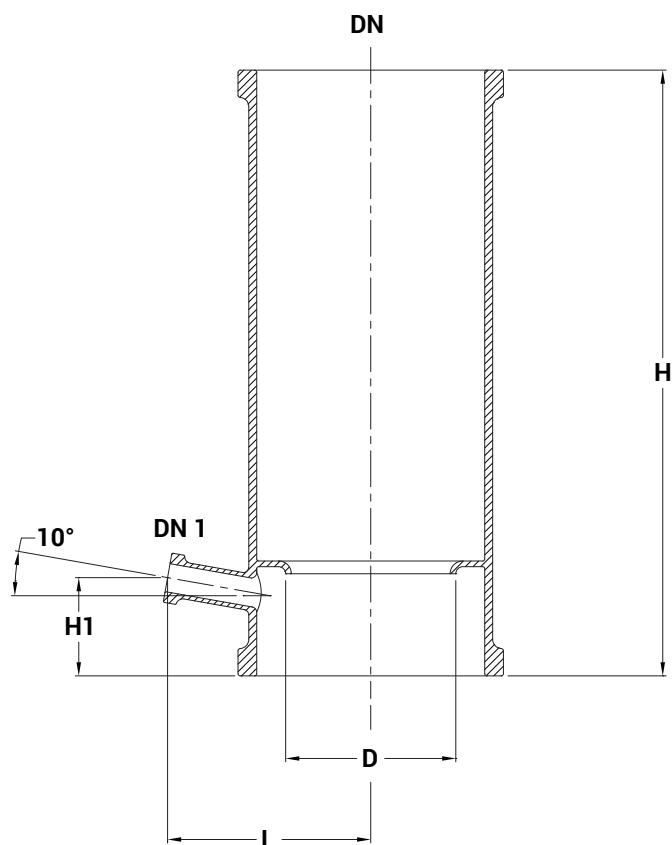
Because of its properties as a constructional material the borosilicate glass 3.3 is particularly suitable for the solution of the following chemical-engineering tasks:

- distillation;
- rectification;
- extraction;
- absorption;
- reaction;
- crystallization.



Soffieria Sestese may alter detail specifications at its discretion and without notice, in line with its policy of continuous development.

Column sections with packing support seat



Column sections 1 m long

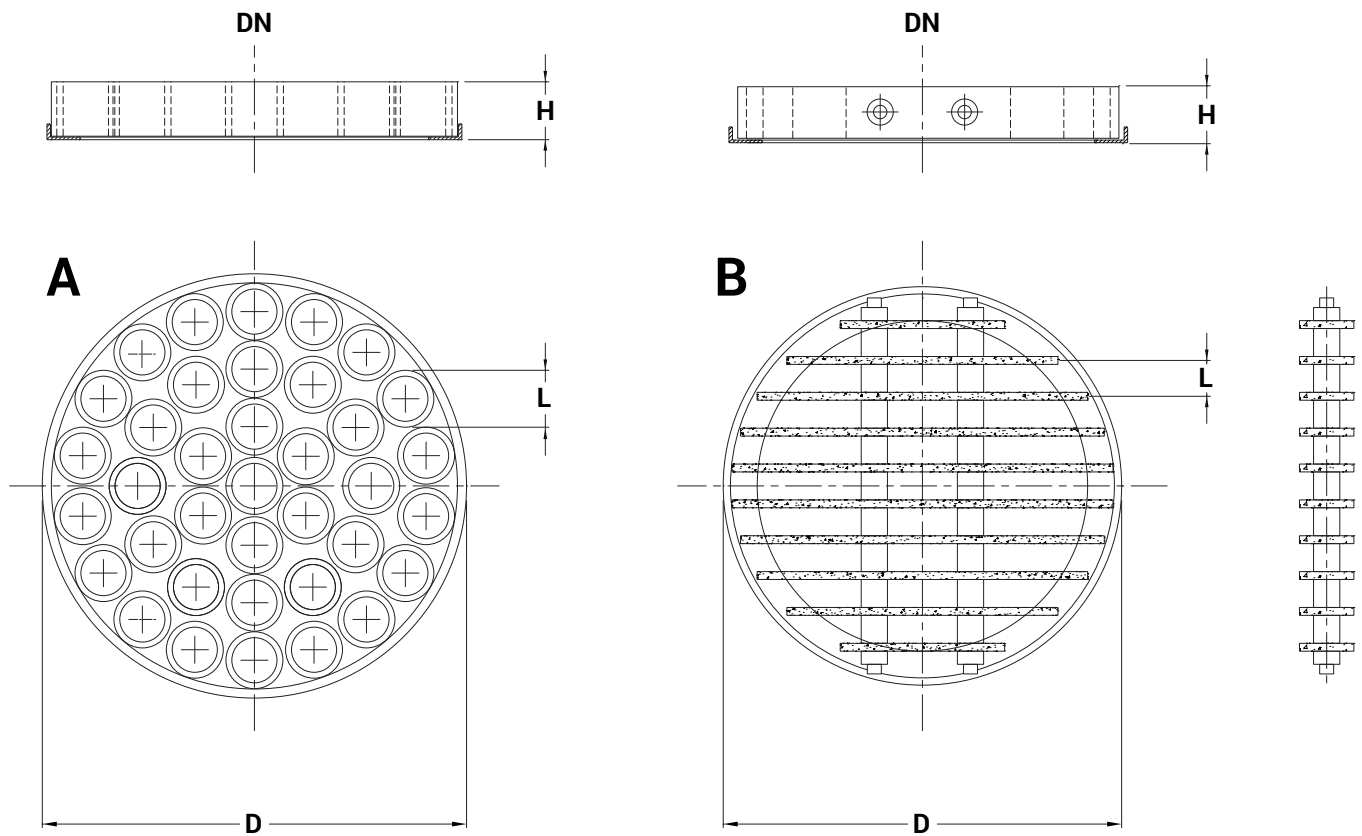
DN	DN1	H	H1	L	D	CAP. (L)	kg MAX	CODE
80	25	1000	100	100	45	4	17	SKOL080/1000/3
100	25	1000	100	125	65	7	25	SKOL100/1000/3
150	25	1000	100	150	105	16	50	SKOL150/1000/3
200	25	1000	100	175	150	29	90	SKOL200/1000/3
300	25	1000	125	225	200	63	170	SKOL300/1000/3
400	25	1000	150	275	275	113	270	SKOL400/1000/3
450	25	1000	150	300	300	151	330	SKOL450/1000/3
600	25	1000	150	375	420	225	500	SKOL600/1000/3

Column sections 1.5 m long

DN	DN1	H	H1	L	D	CAP. (L)	kg MAX	CODE
150	25	1500	100	100	105	25	50	SKOL150/1500/3
200	25	1500	100	100	150	45	90	SKOL200/1500/3
300	25	1500	125	125	200	100	170	SKOL300/1500/3
400	25	1500	150	150	275	175	270	SKOL400/1500/3
450	25	1500	150	150	300	225	330	SKOL450/1500/3
600	25	1500	150	150	420	365	500	SKOL600/1500/3



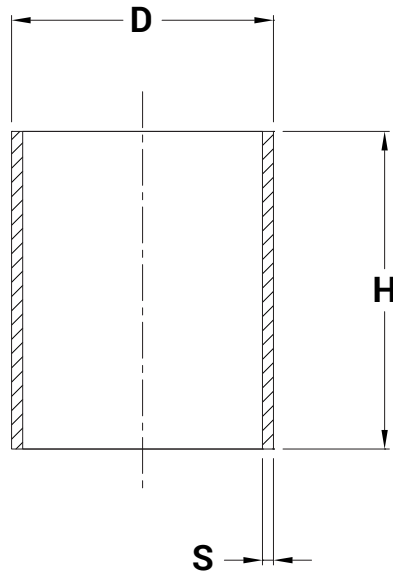
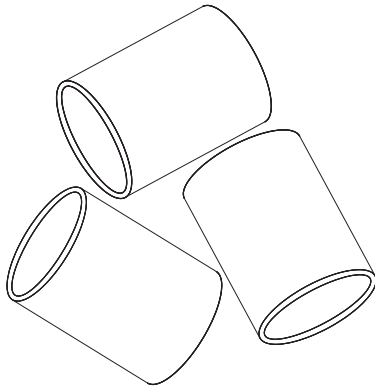
Packing supports for column



DN	H	D	L	TYPE	CODE
80	21	70	14	A	SGRI080
100	21	95	16	A	SGRI100
150	31	140	20	A	SGRI150
200	31	190	24	A	SGRI200
300	31	270	30	A	SGRI300
450	66	440	33	B	STRR450
600	91	590	33	B	STRR600



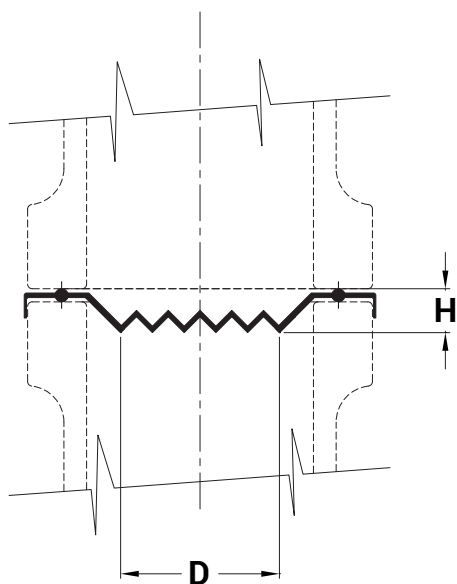
Column packing glass (Raschig type)



D x H	S	CODE
8 x 8	1.0	SRASH08
10 x 10	1.0	SRASH10
15 x 15	1.8	SRASH15
20 x 20	1.8	SRASH20
25 x 25	2.0	SRASH25
30 x 30	2.0	SRASH30
40 x 40	2.3	SRASH40
50 x 50	2.5	SRASH50



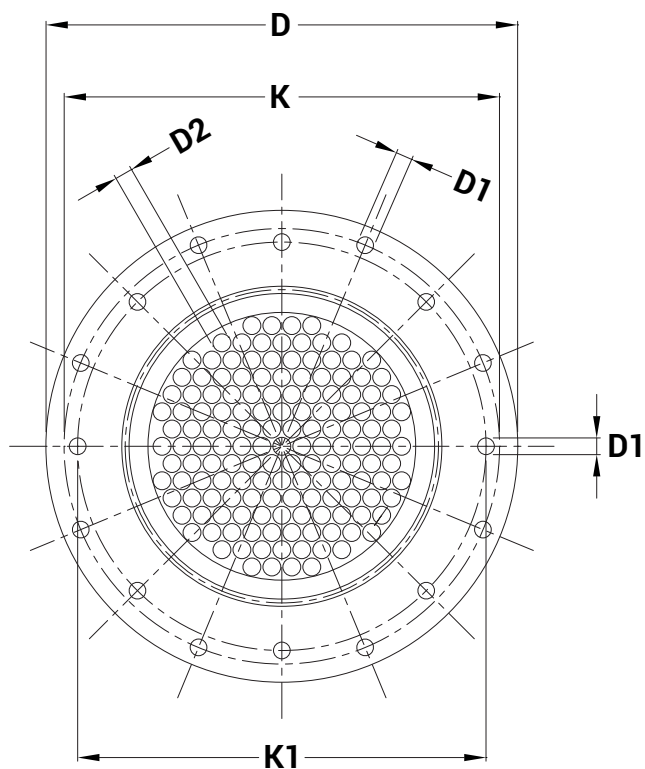
PTFE redistributors



DN	D	H	CODE
40	28	9	SLTT040
50	35	11	SLTT050
80	55	16	SLTT080
100	70	19	SLTT100
150	105	32	SLTT150
200	140	40	SLTT200
300	200	55	SLTT300
450	315	41	SLTT450
600	420	56	SLTT600



PTFE perforated retention plates

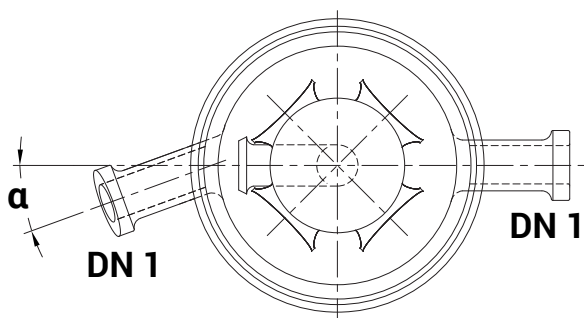
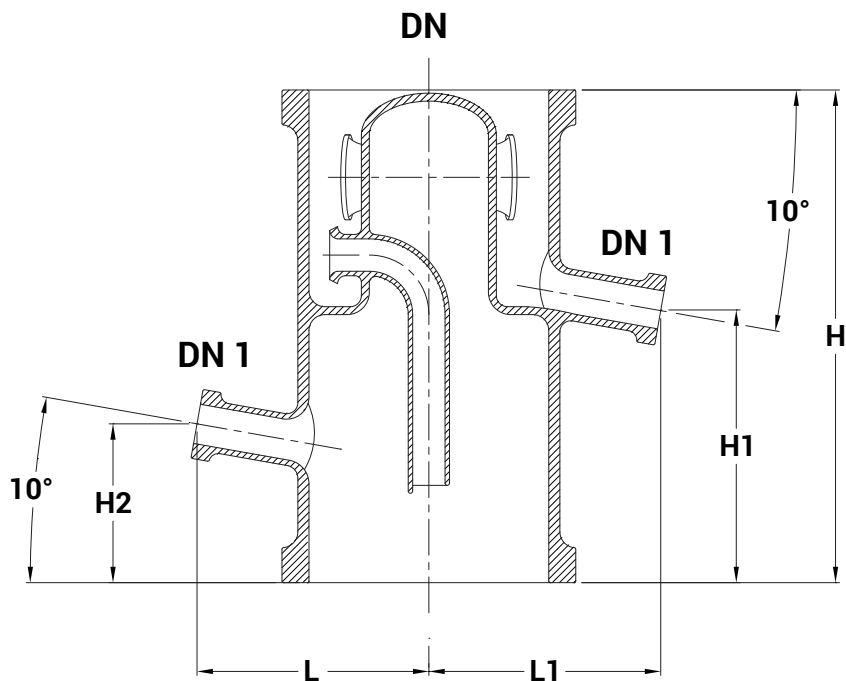


DN	D	D2	NUMBER OF HOLES D2	FREE CROSS SECTION (%)	D1	NUMBER OF HOLES D1	K	K1*	CODE
80	180	6	109	61	9.5	6 / 8*	150	160	SFULL080
100	200	6	163	58	9.5	6 / 8*	170	180	SFULL100
150	260	10	151	67	9.5	8 / 8*	225	240	SFULL150
200	315	15	109	61	9.5	8 / 8*	280	297	SFULL200
300	420	20	151	67	9.5	12 / 12*	395	400	SFULL300
400	515	20	271	67	9.5	16	495	495	SFULL400
450	610	20	361	71	9.5	16	585	585	SFULL450
600	735	25	367	63	15	20	710	710	SFULL600

*Dimensions for plastic flanges SSCHD__K and coupling plastic flanges SSVED__K



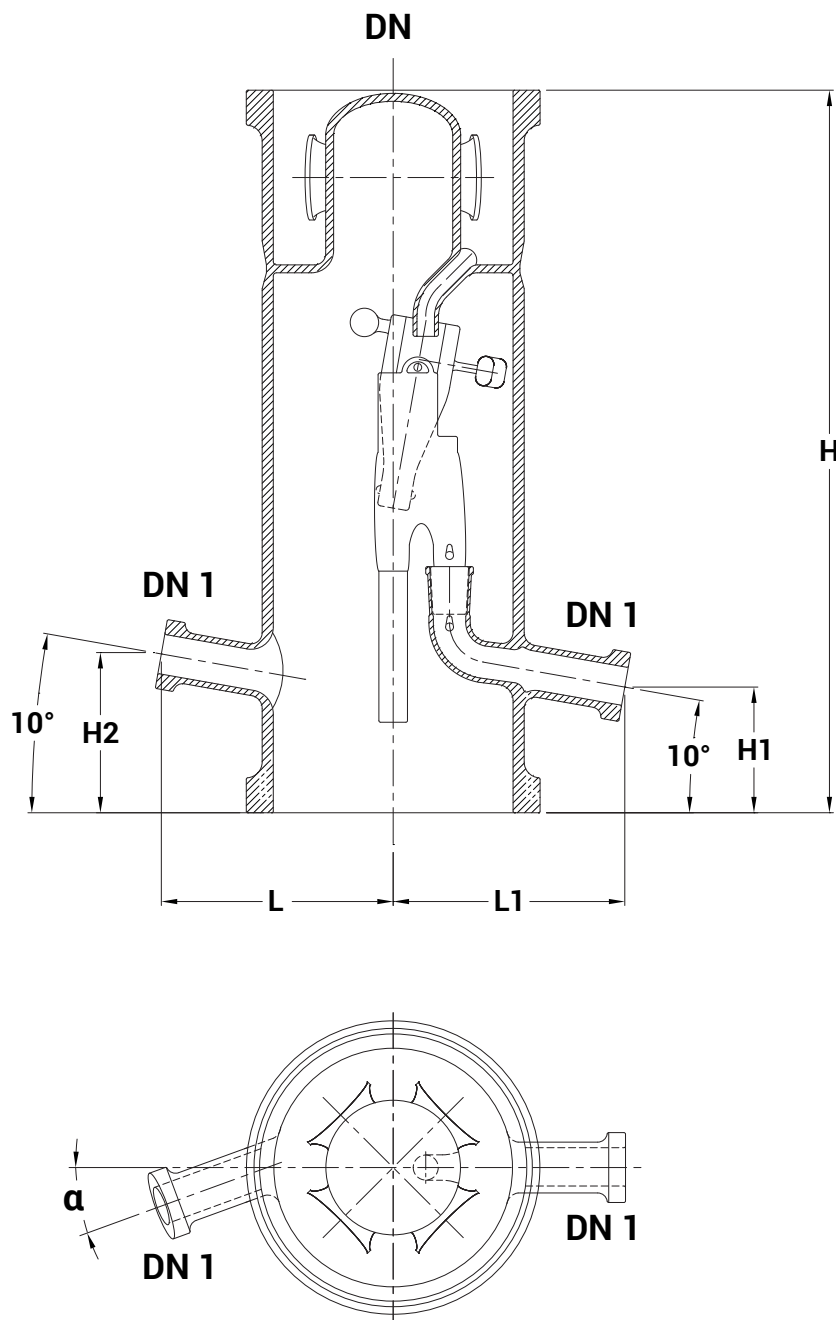
Manually operated reflux separators



DN	DN1	H	H1	H2	L	L1	α (°)	FREE CROSS SECTION (%)	CODE
50	GL25	200	110	100	125	110	30	21	STRCM050
80	25	200	110	100	125	110	30	21	STRCM080
100	25	250	130	100	125	120	25	27	STRCM100
150	25	300	150	150	150	150	20	21	STRCM150
200	25	400	150	120	175	175	20	45	STRCM200
300	25	400	150	120	225	225	20	25	STRCM300
450	40	600	250	150	300	300	20	42	STRCM450



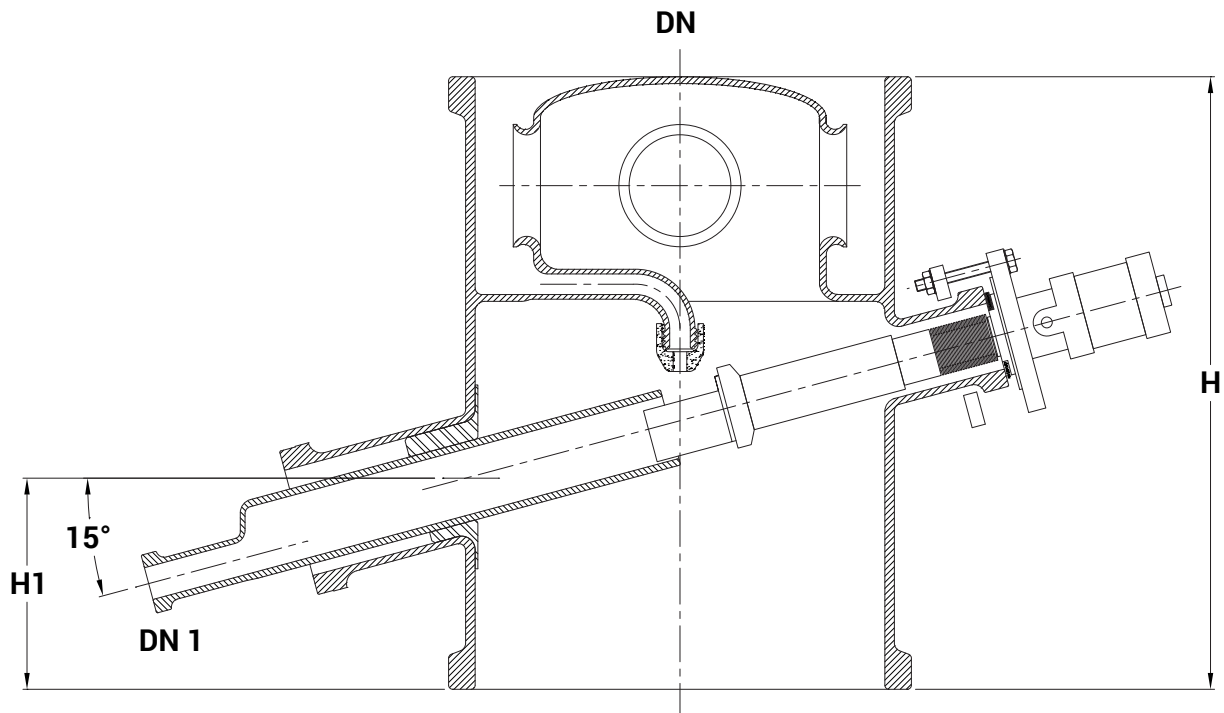
Electromagnetically operated reflux separators



DN	DN1	H	H1	H2	H3	H4	α (°)	FREE CROSS SECTION (%)	CODE
80	25	380	91	126	106	65	30	21	STRCMG080
100	25	455	101	118	118	80	30	27	STRCMG100
150	25	455	101	145	146	79	20	21	STRCMG150



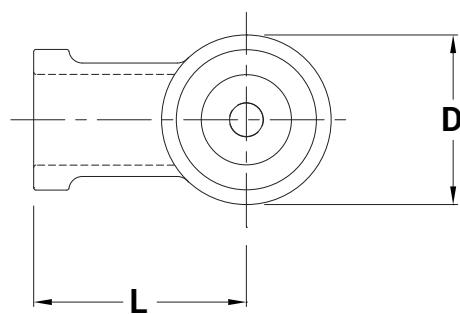
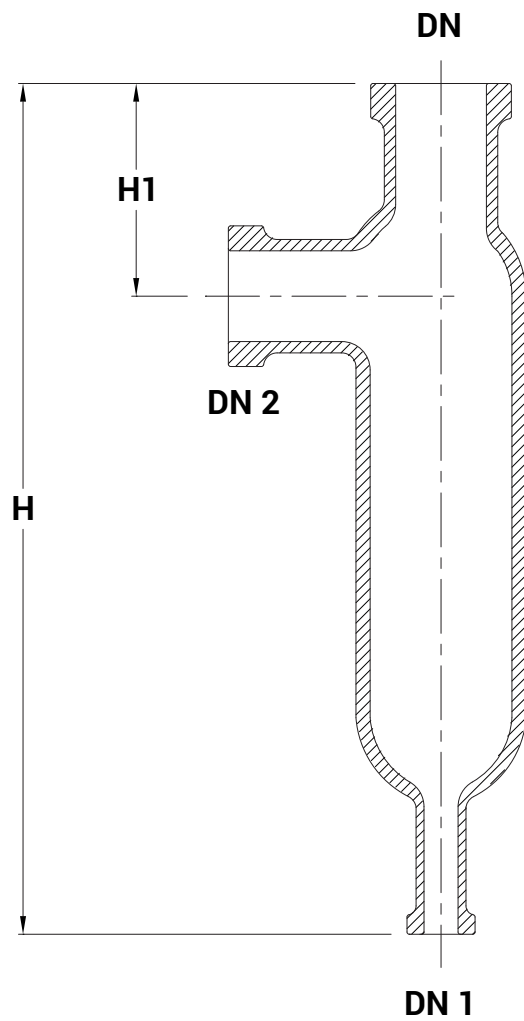
Pneumatically operated reflux separators



DN	DN1	H	H1	CODE
100	25	350	200	STRCP100
150	25	350	200	STRCP150
200	40	500	200	STRCP200
300	50	500	200	STRCP300



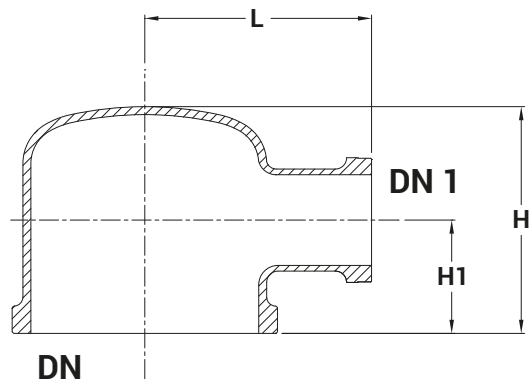
Liquid seals



DN	DN1	DN2	D	H	H1	L	CODE
25	15	15	58	300	75	75	SGI025
40	15	25	75	400	100	100	SGI040
50	25	50	110	500	125	125	SGI050



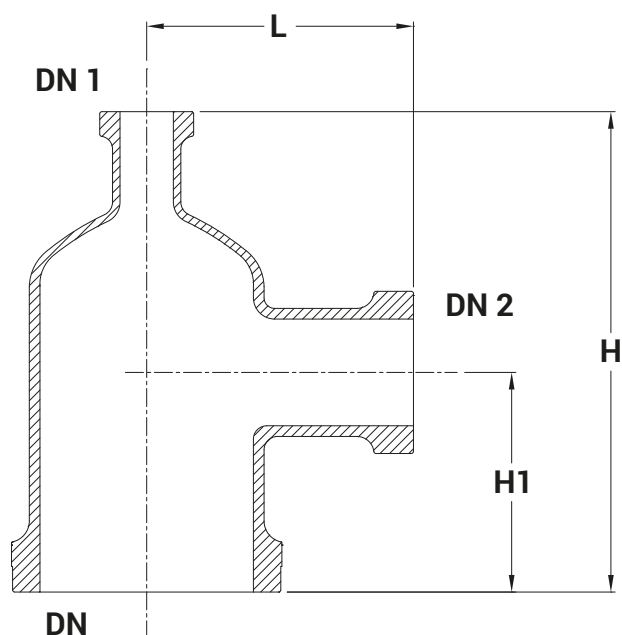
Flat column adaptors



DN	DN1	H	H1	L	CODE
50	25	100	75	75	SFH50/25/3
80	25	125	100	100	SFH80/25/3
80	50	150	100	125	SFH80/50/3
100	25	150	100	125	SFH100/25/3
100	50	175	105	125	SFH100/50/3
150	25	150	100	150	SFH150/25/3
150	50	175	100	175	SFH150/50/3
200	25	175	125	175	SFH200/25/3
200	50	175	125	175	SFH200/50/3
300	25	175	125	250	SFH300/25/3
300	50	200	125	250	SFH300/50/3
400	50	250	150	250	SFH400/50/3
450	50	250	150	250	SFH450/50/3



Round top column adaptors



DN	DN1	DN2	H	H1	L	CODE
40	25	25	150	75	75	SABS040/025/025/3
50	25	25	150	75	75	SABS050/025/025/3
80	25	25	175	100	100	SABS080/025/025/3
80	25	40	200	100	100	SABS080/025/040/3
80	25	50	200	100	125	SABS080/025/050/3
80	50	50	200	100	125	SABS080/050/050/3
100	25	25	200	100	125	SABS100/025/025/3
100	25	40	200	100	125	SABS100/025/040/3
100	25	50	225	125	125	SABS100/025/050/3
100	50	50	225	125	125	SABS100/050/050/3
150	25	25	200	125	150	SABS150/025/025/3
150	25	40	200	125	150	SABS150/025/040/3
150	25	50	200	125	150	SABS150/025/050/3
150	25	80	250	150	175	SABS150/025/080/3
150	25	100	300	150	200	SABS150/025/100/3
150	50	25	200	100	150	SABS150/050/025/3
150	50	50	225	100	175	SABS150/050/025/3
150	50	80	300	150	175	SABS150/025/050/3
150	50	100	300	150	200	SABS150/050/100/3
200	40	50	300	150	175	SABS200/040/050/3
200	50	50	300	150	175	SABS200/050/050/3
200	50	80	300	150	200	SABS200/050/080/3
200	50	100	350	200	225	SABS200/050/100/3
300	50	50	350	200	250	SABS300/050/050/3
300	50	100	350	200	250	SABS300/050/100/3
300	80	100	375	200	275	SABS300/080/100/3
300	50	150	400	200	300	SABS300/050/150/3
400	50	100	450	350	325	SABS400/050/100/3
400	50	150	500	300	350	SABS400/050/150/3
450	50	200	500	300	375	SABS450/050/200/3
450	80	200	800	400	350	SABS450/080/200/3
600	80	80	850	300	400	SABS600/080/080/3
600	80	200	850	300	425	SABS600/080/200/3
600	80	300	850	400	500	SABS600/080/300/3



